

 **MIGHTY CRANE**

R&B

CR285D

- Five-sections full automatic boom
- With Hook-in system
- Safety moment limiter standard



MAX LOADING WEIGHT

 **2.8t × 1.5m**

- Tier 3 exhaust gas regulation compliant
- 4 falls / 2 falls / 1 fall hook block
- Electric motor unit (option)
- Remote operation controller



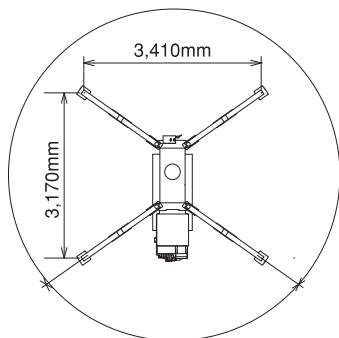
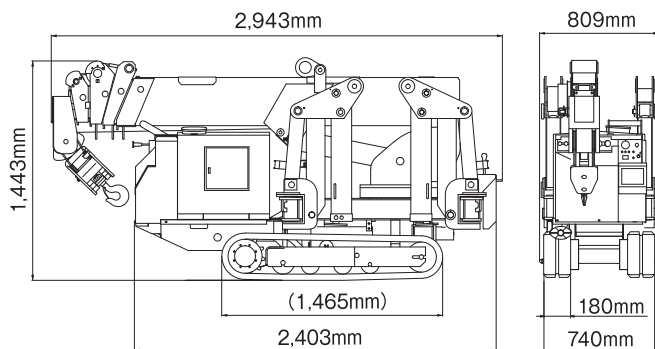
CE

ASME B30.5-2007 compliant

R&B ENGINEERING Co., Ltd.
www.rbe.co.jp

Specifications

Crane capacity		2.8t×1.5m
Max.working radius		8.5m×150kg
Max lifting height (on the ground)		8.7m
Winch system	Hook speed	11.3m/min(4layers, 4falls)
	Hoist wire rope	φ8mm×50m
Telescoping system	Type	Fully automatic 5-sections pentagonal telescopic boom (Section 3,4 and 5 slide simultaneously)
	Boom length	2.565-4.186 -5.766 -7.346 -8.926m
	Boom telescoping stroke/Time	6.36m/22sec
Boom hoisting system	Boom angle / time	0-70°/8sec
Swing system	Swing angle / time	360°(continuous)/16sec
Outrigger	Type	Hydraulic cylinder jack
	Max.extended width	3,410mm×3,170mm
Travel system	Type	Hydraulic motor reducer with brake
	Travel speed	0~1.88km/h
	Grade ability	20°
	Crawler ground length×width	1,170mm×180mm
Engine	Ground pressure	41.9kpa [0.43kgf/cm ²]
	Model	YANMAR 2TNV70 Certified to EPA Tier4
	Displacement	0.570ℓ [570cc]
	Continuous rated output	7.9kw/2,600min ⁻¹ [10.7PS/2,600rpm]
	Starting method	Electric starting
	Fuel / Fuel tank capacity	Diesel/20.0ℓ
Electric motor	Motor type	Totally enclosed fan-cooled motor 4P,5.5kw, 220V-380V
Hydraulic	Hydraulic pump	Fixed torque dual piston pump
Remote	Speed mode	High/Low
	Operation	Boom telescoping, Hoisting, Swing, Winch, Engine speed control, Emergency stop, Alarm
Overall length×width×height		2,943mm×809mm×1,443mm
Machine weight		1,750kg (2,150kg with electric motor)
Options		Moment limiter, Tricolored light, Head lamp, Electric motor 2falls/1fall hook



Electric motor

Table of Total Rated Load [5-section boom]

When booms A and B are used

Working radius (m)	~1.5	2.0	2.5	3.0	3.5	3.7			
Total rated load (t)	2.80	2.20	1.65	1.23	0.97	0.86			

When booms A, B and C are used

Working radius (m)	~2.9	3.0	3.5	4.0	4.5	5.0	5.3		
Total rated load (t)	1.25	1.22	0.97	0.77	0.61	0.53	0.47		

When booms A, B, C and D are used

Working radius (m)	~3.6	4.0	4.5	5.0	5.5	6.0	6.5	6.9	
Total rated load (t)	0.85	0.72	0.60	0.50	0.43	0.37	0.32	0.29	

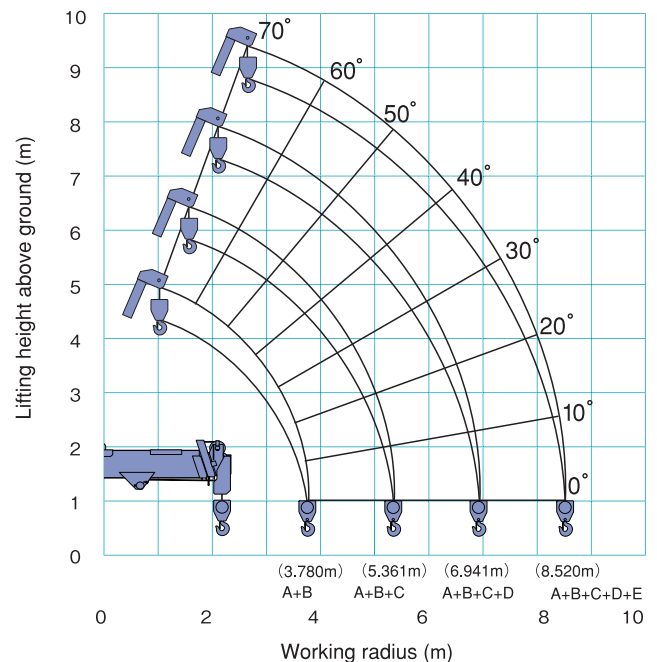
When booms A, B, C, D and E are used

Working radius (m)	~4.0	5.0	5.5	6.0	6.5	7.0	7.5	8.0	8.5
Total rated load (t)	0.55	0.33	0.28	0.25	0.22	0.21	0.18	0.17	0.15

※Figures in each table includes 23kg of hook block.

※There are different figures in some areas / directions. Refer to the operation manual for further detail.

Working range chart



Working radius and lifting height are based on unloaded condition, excluding deflection of the boom.

Safety precautions

- Make sure to read the operation manual before using the product.
- Make sure to extend and set up the outriggers properly before operation. Read the operation manual for the proper outriggers set up.
- Specifications and design are subject to change without notice due to improvement and the product may differ from the descriptions and photos in the catalog.