

 **MIGHTY CRANE**

**R&B**

# CR174G

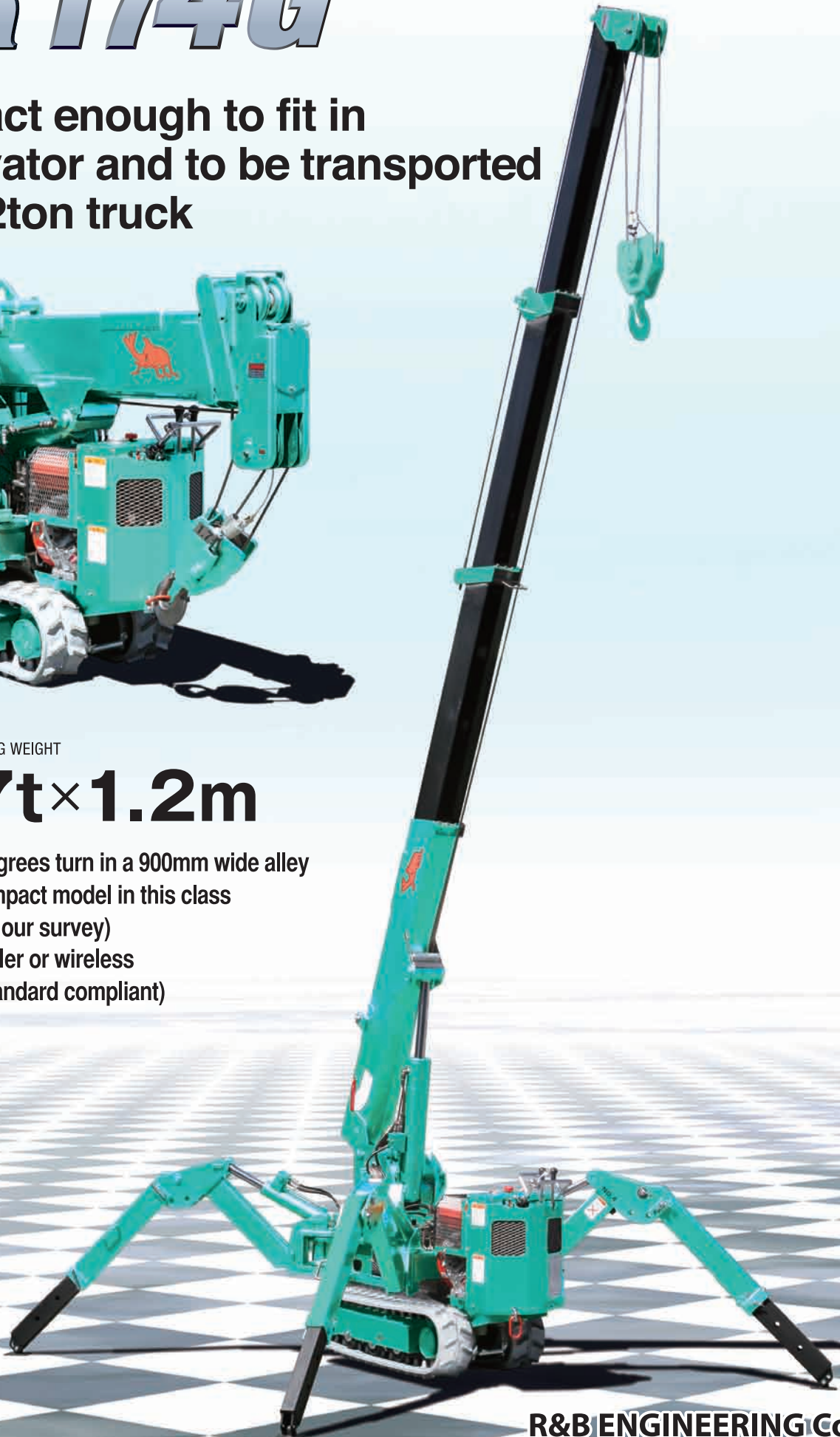
**Compact enough to fit in  
an elevator and to be transported  
using 2ton truck**



MAX LOADING WEIGHT

**1.7t × 1.2m**

- Able to 90 degrees turn in a 900mm wide alley
- The most compact model in this class  
(according to our survey)
- Cable controller or wireless  
(Japanese standard compliant)



**R&B ENGINEERING Co., Ltd.**  
[www.rbe.co.jp](http://www.rbe.co.jp)

## ■ Specifications

Crane capacity		1.7t×1.2m
Max.working radius		5.15m×210kg
Max.lifting height (on the ground)		5.3m
Winch system	Hook speed	6.3m/min (3layers, 3falls)
	Hoist wire rope	φ8mm×35m
Telescoping system	Type	Fully automatic 4-sections pentagonal telescopic boom (Section 3 and 4 slide simultaneously)
	Boom length	1.855-3.055-4.145-5.335m
	Boom telescoping stroke/Time	3.56m/26sec
Boom hoisting system	Boom angle / time	0~70°/14sec
Swing system	Swing angle / time	360°(continuous) /26sec
Outrigger	Type	Hydraulic cylinder jack
	Max.extended width	2,580mm×2,900mm
Travel system	Type	Hydraulic motor reducer with brake
	Travel speed	0~1.87km/h
	Grade ability	25°
	Crawler ground length×width	925mm×180mm
	Ground pressure	35.8kpa [0.36kgf/cm <sup>2</sup> ]
Engine	Model	SUBARU ROBIN EH25
	Displacement	0.251ℓ [251cc]
	Continuous rated output	4.7kw/1,800min <sup>-1</sup> [6.4PS/1,800rpm]
	Starting method	Electric starting
	Fuel / Fuel tank capacity	Gasoline/6ℓ
Hydraulic	Hydraulic pump	Fixed torque dual piston pump
Remote controller	Speed mode	High/Low
	Operation	Engine on off, Engine control speed, Alarm Winch, Telescoping, Hoisting, Swing, Extending outrigger
Overall length×width×height		2,150mm×580mm×1,330mm
Machine weight		1,170kg

## ■ Table of Total Rated Load [4-section boom]

When booms A and B are used

Working radius (m)	~1.2	1.5	2.0	2.5					
Total rated load(kg)	1700	1420	955	700					

When booms A, B and C are used

Working radius (m)	1.5	2.0	2.5	3.0	3.5				
Total rated load(kg)	1200	955	700	520	385				

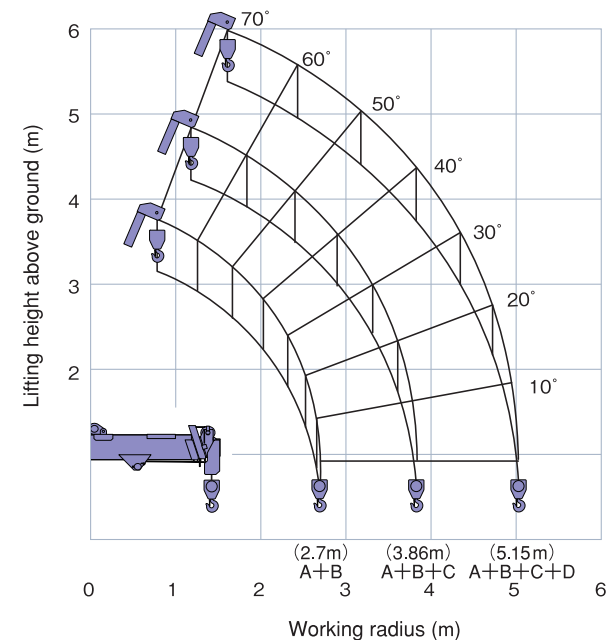
When booms A, B, C and D are used

Working radius (m)	2.0	2.5	3.0	3.5	4.0	4.5	5.0	5.15	
Total rated load(kg)	955	700	520	385	300	250	215	210	

※Figures in each table includes 17kg of hook block.

※There are different figures in some areas / directions. Refer to the operation manual for further detail.

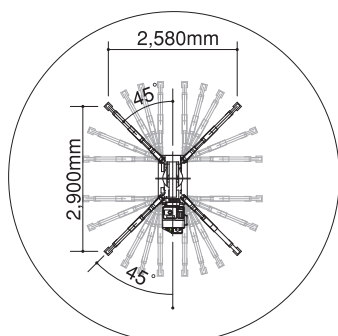
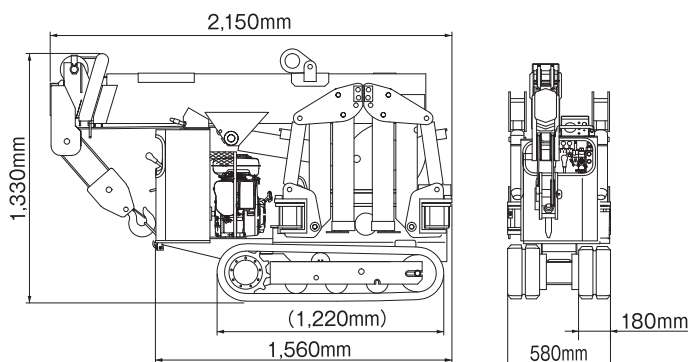
## ■ Working range chart



※ Working radius and lifting height are based on unloaded condition, excluding deflection of the boom.

## ⚠ Safety precautions

- Make sure to read the operation manual before using the product.
- Make sure to extend and set up the outriggers properly before operation. Read the operation manual for the proper outriggers set up.
- Specifications and design are subject to change without notice due to improvement and the product may differ from the descriptions and photos in the catalog.



\*The above illustration is the image of each dimension and angle.



Cable/wireless remote controller